


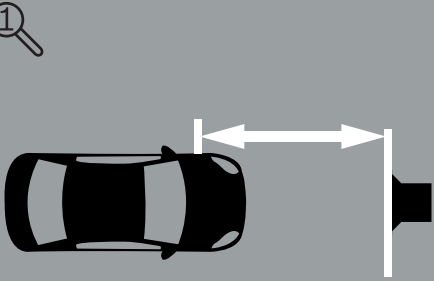
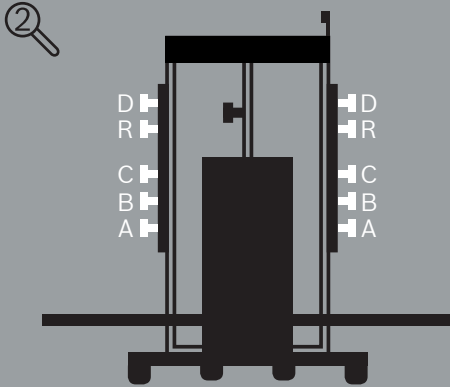
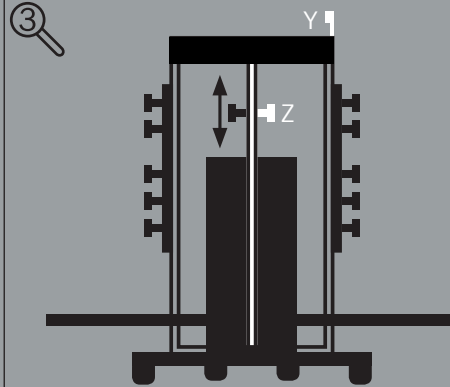
# Front camera calibration

Alfa Romeo

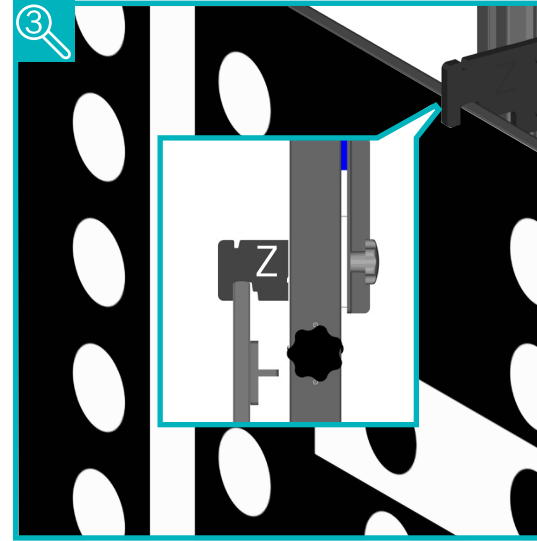
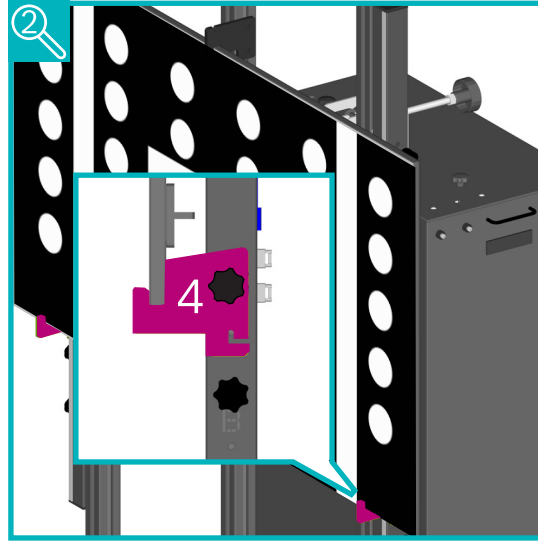
Model	Year	Setup
Giula [952]	02/2016 -	1
Stelvio	11/2016 -	1

Adapter	Part-No.	Shape/Color
1	1 685 720 383	

Target	Part-No.	Pattern
Typ 1	1 681 098 011	

	1.	2.	3.	4.	5.
Setup		Adapter			Target
	1 1500	1 (2x)	C, C	Z	Typ 1

 Zoom (see page 2)



**BOSCH**

**Robert Bosch GmbH**  
Diagnostics  
Franz-Oechsle-Straße 4  
73207 Plochingen  
DEUTSCHLAND  
[www.bosch.com](http://www.bosch.com)  
[bosch.prueftechnik@bosch.com](mailto:bosch.prueftechnik@bosch.com)

1 689 989 417 | 2019-11-08