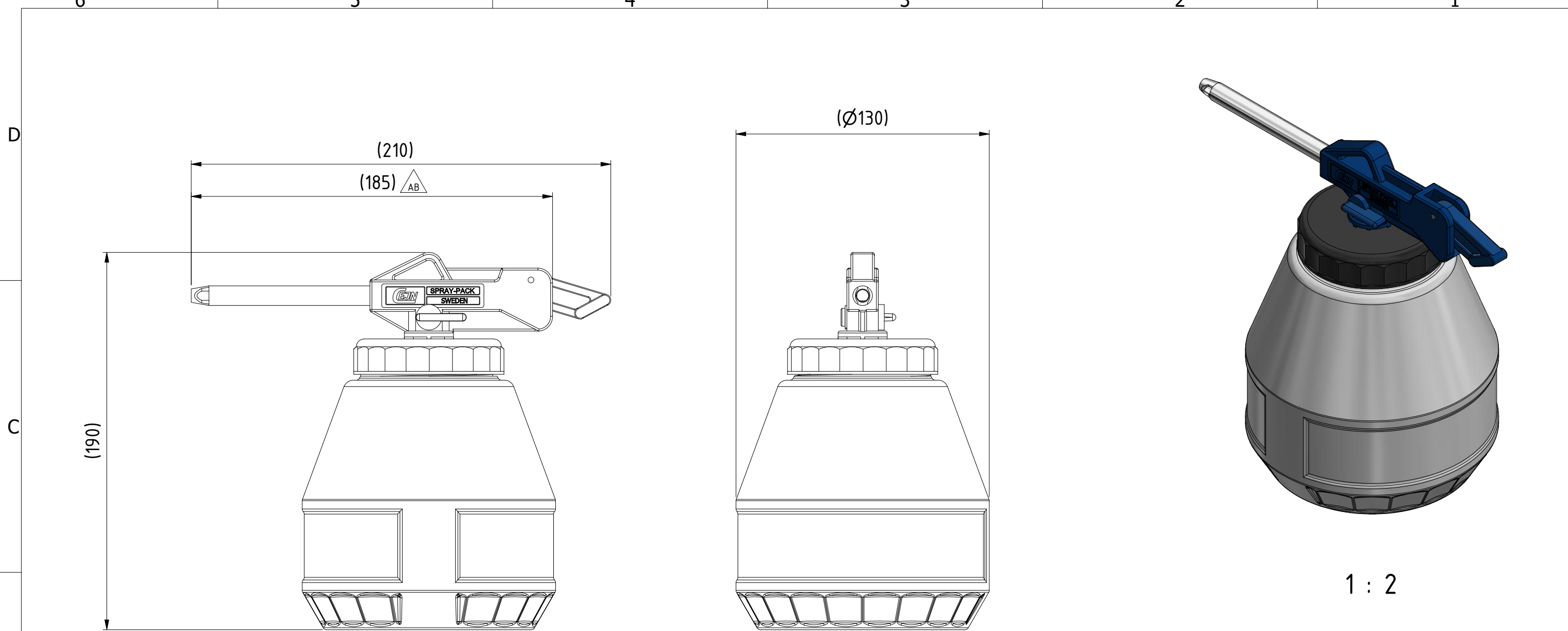



This document must not be copied, either completely or in part, without permission. Any infringement will have legal consequences ©



1 : 2

Product No.	112085000
Nominal flow \varnothing DN:	mm
Connection Stroke:	mm
Max WP Connected:	16 bar
Min BP Connected:	64 bar
Temperature range:	-20°C - +60°C
Connection:	BG 208
Sealing material:	NBR
Hexagon:	

Item	Qty	Description	Material
13	1	Canister 1.2L	Plastic
12	1	Cover	Plastic
9	1	Pin	Steel
8	1	Nut	Brass
7	1	Lock ring	Steel
5	1	Tube	Plastic
4	1	Locking handle	Plastic
3	1	Locking handle	Plastic
2	1	Spray tube	Aluminum
1	1	Body	Plastic

	Scale	1 : 2	Drawn	CABJOOL	Checked	JOTU	Appr.	OG	ECO	000680	Date	2020-08-27	
	Assembly Drawing 502085000								Drawing No.				
										Issue	AB	Sheet	1 / (1)

A3