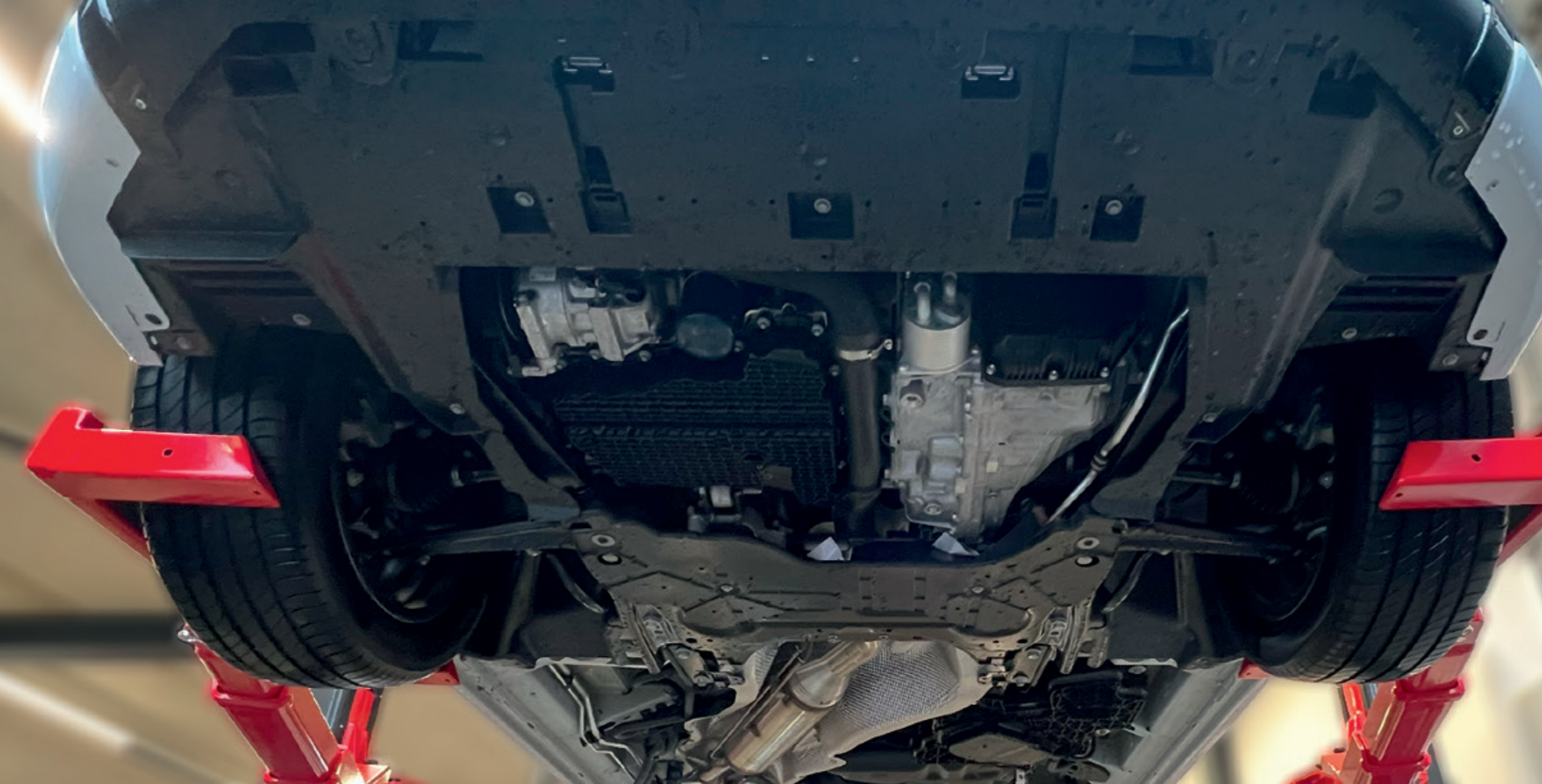


Wheel support devices, lifting pads, E-adapters

**VERTICAL
POWER**

Accessories



We come from the side and not from below!

Wheel support device

Our wheel support devices provide **free access to the vehicle underbody** and are therefore also **perfect for electric vehicles (battery accessibility)**.

No need to change lifts to get completely free access to the underbody. **Simply exchange your standard lifting pads for these wheel support devices** and you can use the same lift to lift the vehicle on the wheels or via the lifting points.

Lifting the vehicle is quick and easy, as the wheel support devices **can be easily positioned**.

The standard mounted **rubber protection** reduces the risk of damage to the vehicle's rims.

The wheel support device with 1000 kg lifting capacity (eccentric) is suitable for almost all current models. The eccentric linkage **increases the maximum wheelbase that can be accommodated by another 300mm**. Perfect for vehicles with a long wheelbase.

The wheel support device with 1500 kg lifting capacity (centric) is used for higher tonnages from 5.0 tonnes.

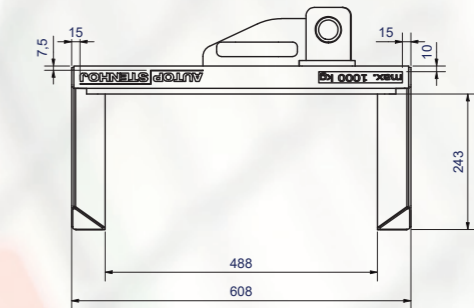
The AUTOPSTENHOJ wheel support devices may only be used with compatible AUTOPSTENHOJ products.

Wheel support device (1000 kg) - item no. 16034 | 1 set = 4 pieces

- Distance between the arms: 488 mm
- Wheel diameter: from $\varnothing 600$ mm
- Wheel diameter $< \varnothing 600$ mm also possible with reducer
- Eccentric mounting
- **Extension of the lifting range by 150 mm per swivel arm**

Reducer (1000 kg) - item no. 14104 | 1 set = 4 pieces

- for wheel diameter $< \varnothing 600$ mm

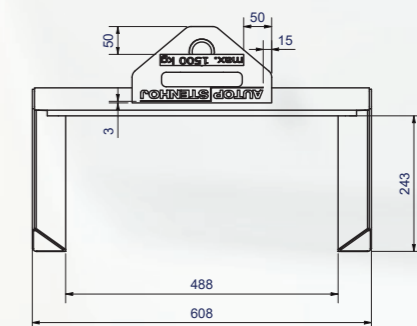


Wheel support device (1500 kg) - item no. 14105 | 1 set = 4 pieces

- Distance between the arms: 488 mm
- Wheel diameter: from $\varnothing 600$ mm
- Wheel diameter $< \varnothing 600$ mm also possible with reducer
- Centric mounting

Reducer (1000 kg) - item no. 14104 | 1 set = 4 pieces

- for wheel diameter $< \varnothing 600$ mm

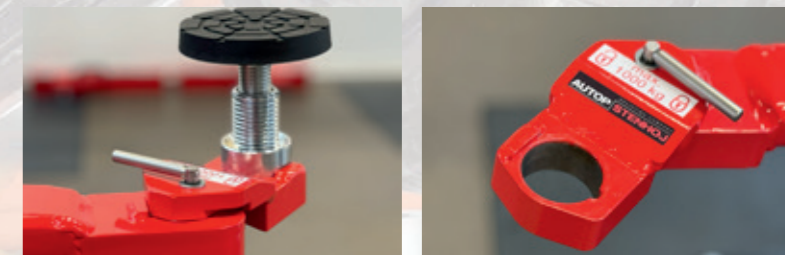
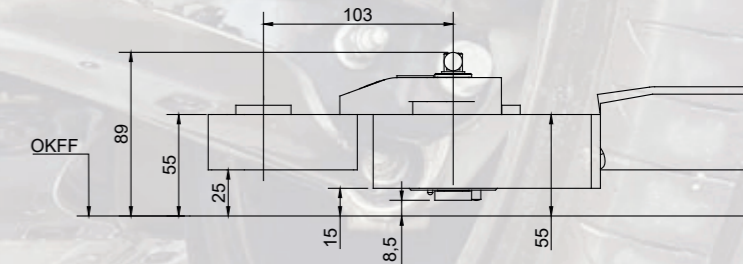
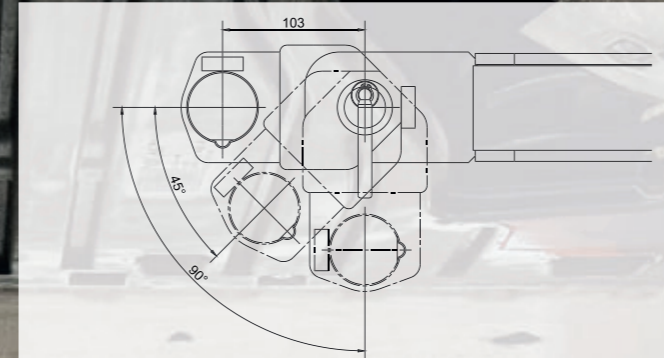


When using the reducer, the maximum load capacity is reduced to 1000 kg per wheel support device.



E-adapter for Ø 50 mm swivel arm pick-up
Item no. 16046 | 1 set = 4 pieces

- Adjustable to 5 positions
- Can also be used as a pure arm extension by 100 mm
- Locking via hand lever for optimum safety
- Form-fit design optimised for lifting points that are difficult to access
- Quick and easy to replace with wheel support devices or other adapters
- Consistently low minimum height
- Lifting capacity: 1000 kg



We have come up with something special for EVs!

E-Adapter

Access to the lifting points of modern vehicles is becoming increasingly demanding, especially in the area of electric vehicles.

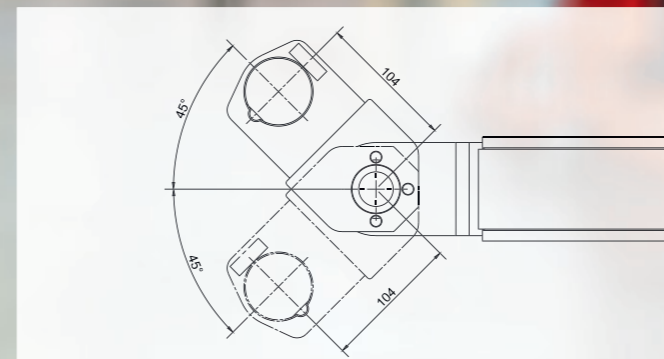
With our **E-adapters**, we offer a **simple and safe solution** that can also be used **for your existing AUTOPSTENHOJ lift** in many cases.

The **slim and low design** ensures accessibility to the lifting points and the battery. With our E-adapters, nothing prevents you from changing the battery.

The minimum height remains as low as usual despite the E-adapter.

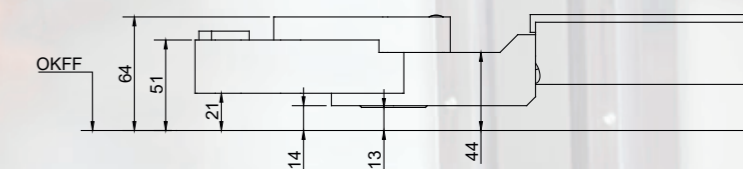
Simple and uncomplicated switching to other adapters or wheel support devices is done in a few quick steps.

The E-adapters come with a **strong 1000 kg lifting capacity per adapter.**



E-adapter for Ø 40 mm swivel arm pick-up
Item no. 16047 | 1 set = 4 pieces

- Incl. reduction adapter from Ø50 mm to Ø40 mm
- 45° angled for optimum accessibility
- Form-fit design optimised for lifting points that are difficult to access
- Quick and easy to replace with wheel support devices or other adapters
- Consistently low minimum height
- Lifting capacity: 1000 kg



Precise support, exactly where it is needed.

Lifting pads

The variety of vehicles is constantly increasing and with it the variety of lifting points that are difficult to access.

AUTOPSTENHOJ offers a **wide range of lifting pads** that enable vehicles to be lifted quickly, easily and safely.

The various lifting pads are characterised by a **compact, slim yet stable design**.

In line with the requirements of leading car manufacturers, our **lifting pads are made entirely of rubber in the contact area** to prevent any metal contact with conductive parts.

The combination of multi-adapter and E-adapter creates the ideal solution for the safe lifting of electric vehicles.

The **small diameter of just 55 mm** of the multi-adapter guarantees the necessary clearance for battery access, even in narrow spaces.

The **low minimum height** of approx. 85 mm* enables easy and safe lifting even with low ground clearance.

NxT Generation lifting pads & adapters:
flexible, future-proof, modular

* Dimensions may vary depending on the lifting pad used



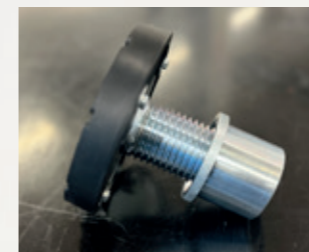
Lifting pad - item no. 16006 (1 piece) - single telescopic
Effective working range: 78 - 110 mm
For lifts up to max. 4.0 t lifting capacity

Lifting pad - item no. 16007 (1 piece) - double telescopic
Effective working range: 95 - 174 mm
For lifts up to max. 4.0 t lifting capacity



Lifting pad - item no. 16008 (1 piece) - single telescopic
Effective working range: 98 - 145 mm
for lifts up to max. 6.5 t load capacity

Lifting pad - item no. 16009 (1 piece) - single telescopic
Effective working range: 147 - 238 mm
for lifts up to max. 6.5 t load capacity



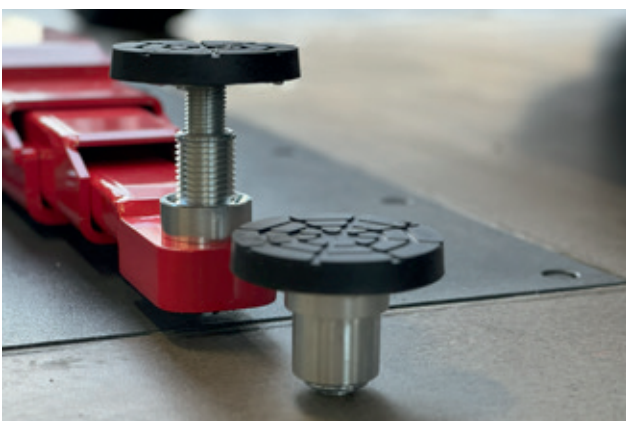
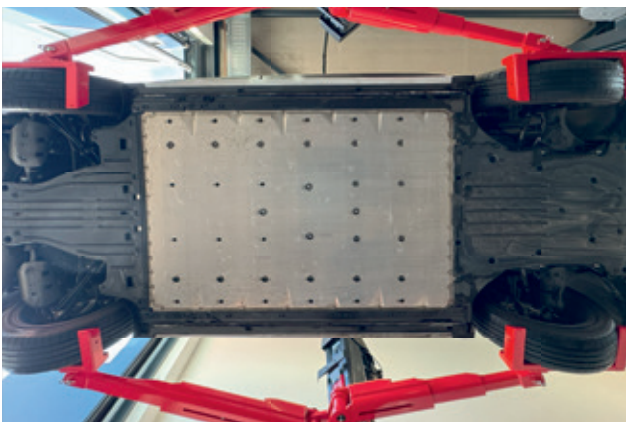
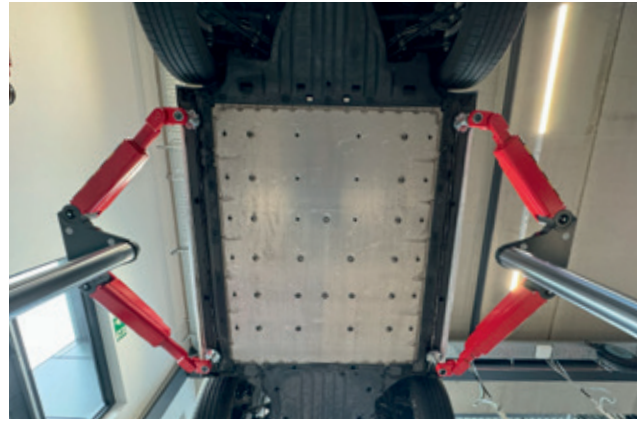
Multi-adapter - item no. 16051 (1 piece)
Lifting capacity per multi-adapter: 1000 kg
Inserts for multi-adapters must be ordered separately

Item no. 16053 - Groove adapter
Item no. 16054 - Pin adapter

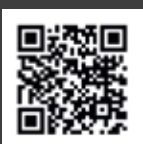
Item no. 16010
Lifting extension 50 mm
Item no.
16011 Lifting extension 100 mm



Wheel support devices, lifting pads, E-adapters



Illustrations are not binding and optional. Under reserve of dimensional, constructional and technical modifications! Validity 02/2024



www.autopstenhoj.com

AUTOPSTENHOJ GmbH
Sandkampstr. 90 | 48432 Rheine
☎ +49 5971 8602-02
✉ info@autopstenhoj.com

AUTOPSTENHOJ GmbH
Barrit Langgade 188-190 | DK-7150 Barrit
☎ +45 76 82 13 30
✉ info@autopstenhoj.com