



NxT Generation:

Inground technology reinvented!

NxT Generation: Patented, flexible, modular

NxT Generation:

Patented, flexible, modular.

For over 70 years, we have been the market leader in the field of inground technology. Our experience pays off for customers and the environment with the NxT Generation:

- **Long-term investment:** The AUTOPSTENHOJ inground lifts ensure efficient usage of your workshop with minimal down time for many years to come.
- **Easy access:** Work on the vehicle can be carried out quickly and efficiently, which increases the productivity of the workshop.
- **Less space required:** More workstations can be set up in a smaller space.
- **Easy to maintain:** We supply a high-quality product and already during the design process also keep maintenance in mind to ensure easy and efficient maintenance.
- **Low oil consumption:** Only 10 litres of oil are needed for reliable operation.

NxT Generation:

Where the future of inground technology has its origin.

For us, a product is only perfect when it is a real solution for your requirements and needs. With this in mind, we develop and produce inground lifts in Germany and surface-mounted lifts in Denmark. Uncompromising in the sense of real premium products: outstanding in design and equipped with technology that sets real standards in terms of quality, reliability and durability.

With the NxT Generation, we are taking the globally proven technology and our know-how for inground technology to the next level.

NxT Generation:

Premium quality – even where you can't see it.

Nothing is as convincing as what you have seen with your own eyes. Inground lifts from AUTOPSTENHOJ with their premium design are a perfect example of this.

But it is the innovation behind them – or rather underneath them – that makes our inground lifts so reliable, flexible and convincing in everyday use. This is the NxT Generation to see and experience.

NxT Generation cylinder guide:

- Solid, ductile aluminium
- Patent pending design
- Anodized for optimal corrosion-resistance
- Modular
- Flexibly adjustable

NxT Generation cylinder:

- Self-bleeding
- Very stable Ø140 mm diameter
- Only 10 l hydraulic fluid (proven high-pressure technology)
- Suitable for all installation variants



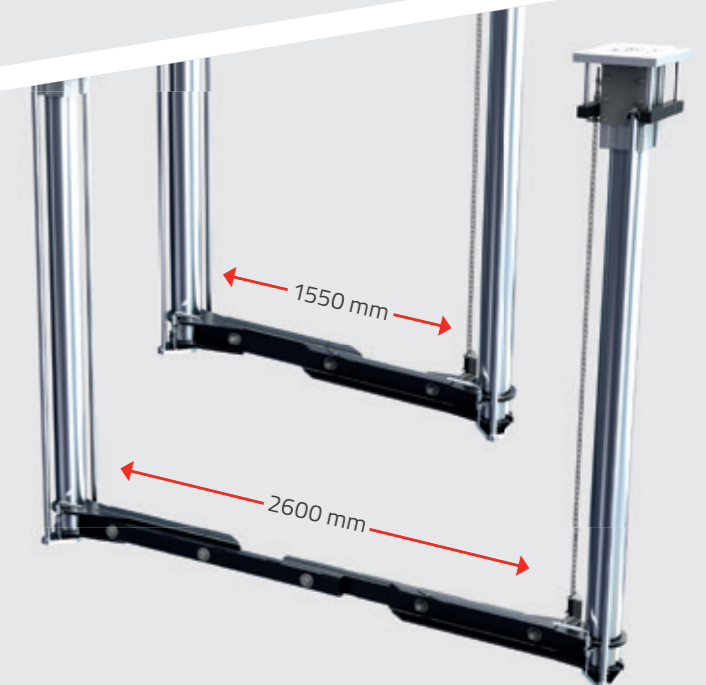
NxT Generation installation:

- Available as version for self-supporting installation
- The load is carried by the cylinder guide so no pressure on the bottom of the cassette
- Cassette only serves as a protective casing



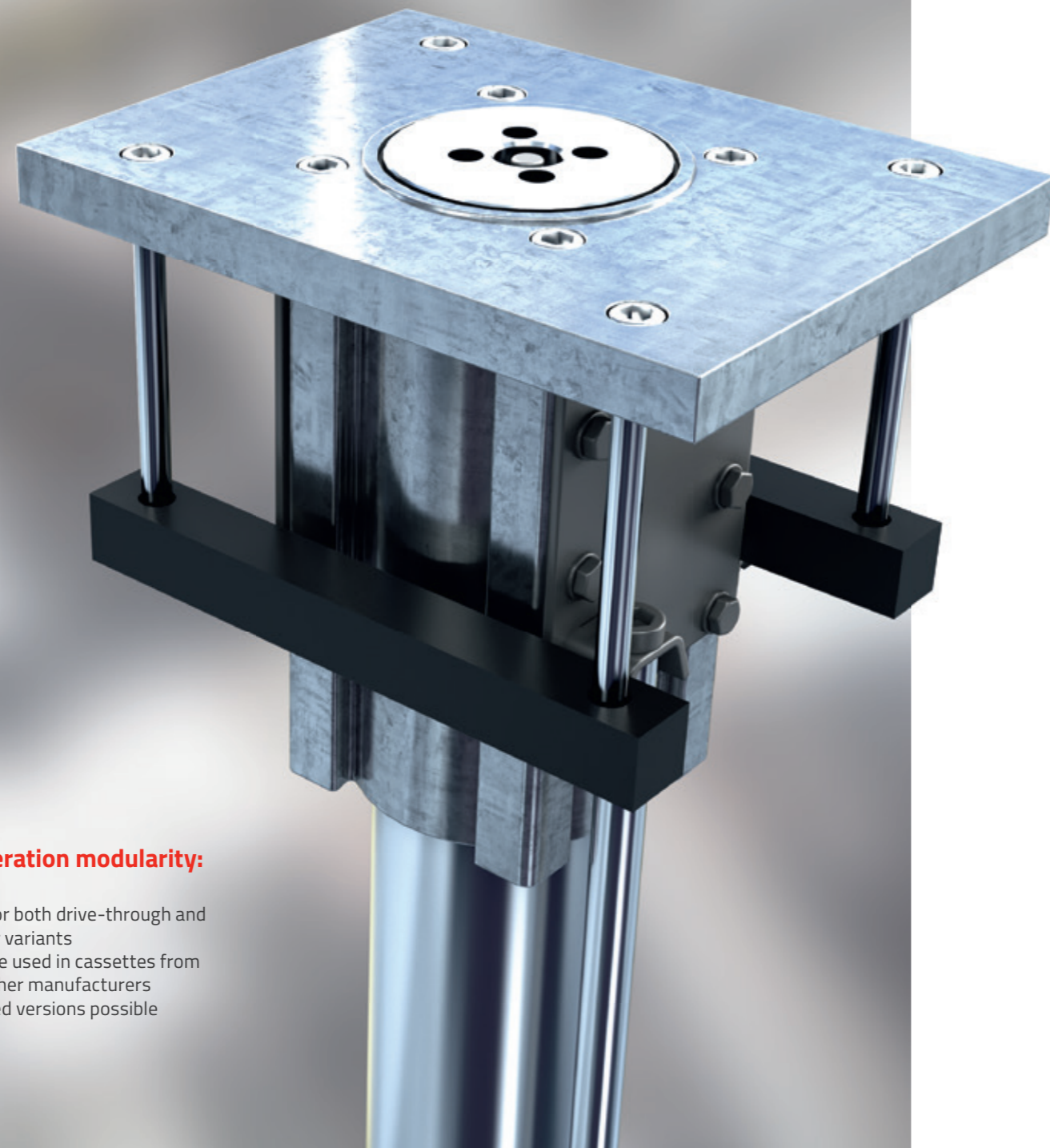
NxT Generation piston distance:

- 1550 mm as new drive-over, and 2600 mm as new drive-through standard
- Very strong yet slim design
- Flexibly adaptable to possible new requirements
- Easy positioning of the vehicle, even when driving in from an angle
- Perfect for the modern workshop



NxT Generation:

Premium quality modularly applied...



NxT Generation modularity:

- Suitable for both drive-through and drive-over variants
- Can also be used in cassettes from various other manufacturers
- Customised versions possible (optional)

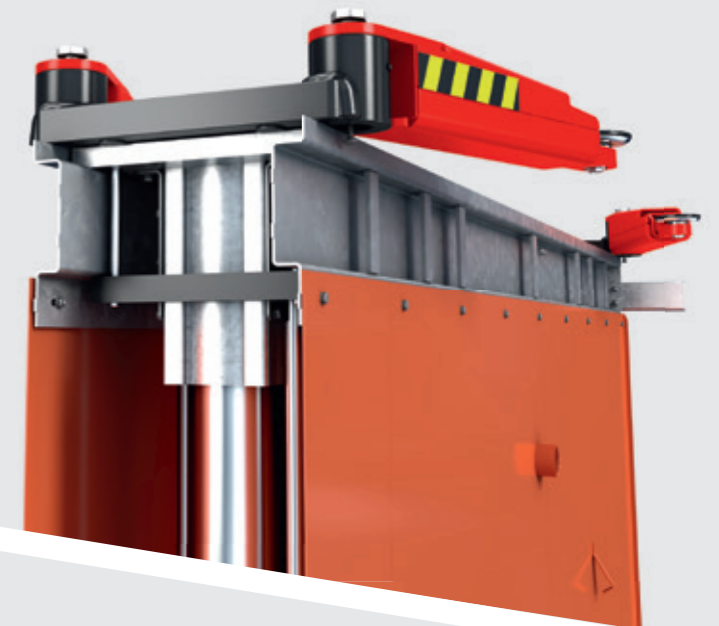


NxT Generation synchronisation:

- Synchronisation and safety via modular synchronisation bar system

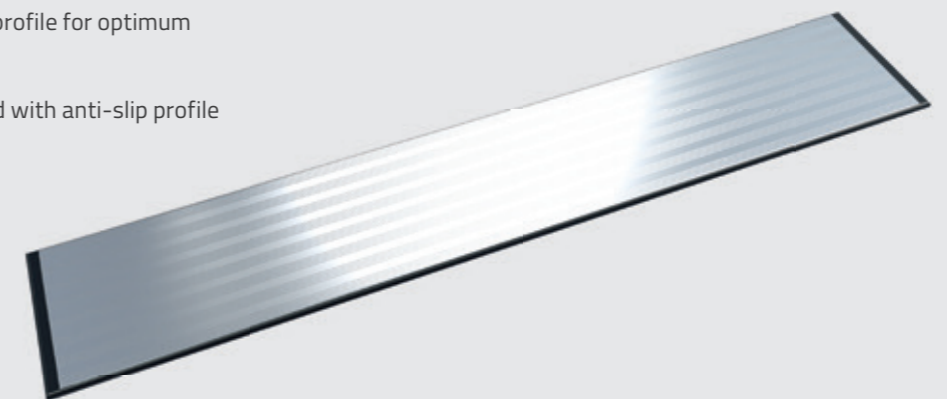
NxT Generation lifting unit:

- All lifting units are equipped with a clamping system
- Flexible positioning of the lifting unit is possible
- Hot-dip galvanized, stable frame system for all cassette variants



NxT Generation cassette cover:

- Made of strong and corrosion-resistant anodized aluminium
- incl. all-round rubber profile for optimum cassette sealing
- Easy to be (de)install
- Can be driven over and with anti-slip profile



NxT Generation:

Premium quality for the highest demands.



NxT Generation toothed rack solution:

- Synchronisation and safety via toothed rack and cardan axle
- Perfect for difficult soil conditions, such as high groundwater level or stony ground



NxT Generation installation variants:

- Compatibility for both: cassette and tube installation
- **Cassette:** lost casing with certificate of tightness
- **Tube installation:** in combination with toothed rack solution, with DN300 or DN400 diameter tubes

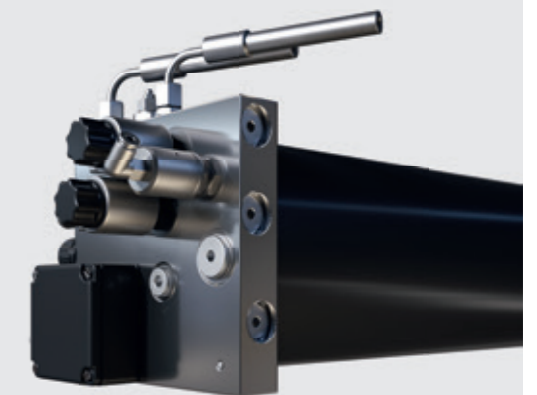
NxT Generation control unit:

- Programmable push button control unit (max. lifting height, signal tone)
- Standard pneumatic emergency lowering for lowering the lift without power by compressed air
- Safe height control system: sensor with impulse transmitter for synchronisation bar solution



NxT Generation pump unit:

- Immersed motor and bearing: protection against moisture and condensation in the cassette, low wear and tear
- Incl. oil filter and manometer connection
- Standard pneumatic emergency lowering, easy to operate from the control unit



A deep and wide portfolio with convincing details – recommended by leading car manufacturers.



More models, more options: Click here for our entire range of inground lifts



Centre-ram lifts

- Much all-round clearance even in narrow spaces
- 213 mm cylinder diameter for stable lifting and lowering, even with unfavourable load distribution
- Various superstructures for many different workshop applications



Twin-ram lifts for the reception

- Attractive and technically convincing
- A business card for the professional reception area
- Suitable for almost all types of vehicles up to 3.5 tonnes

Twin-ram lifts with swivel arms

- Very slim arms with the lowest minimum height and the best lifting area on the market
- Very strong and easy to position
- Most models are equipped with a unique 360° internal armlocking system for precise and secure positioning



Twin-ram lifts with platforms

- With up to 6.5 t lifting capacity
- With different kinds of platforms
- Additional supporting legs for wheel alignment, scissor jacks and more, optionally available*
- Wheel-free device and flush-floor device make this lift a real allrounder*

*Availability of options may differ per model



Twin-ram lifts with flat lifting supports

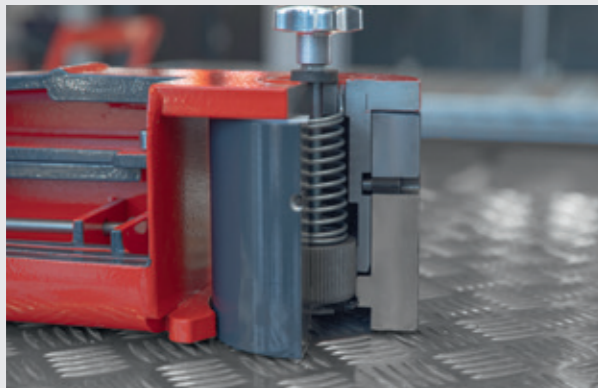
- Extremely flat lifting supports made of solid steel, alternatively of welded profile
- Galvanized for durability
- Length adjustable supports and optionally with width adjustable xy-heads



4-ram lifts for wheel alignment

- Especially developed for wheel alignment, can also be used for headlight testing
- High-precision platforms, can be combined with various wheel aligners
- Ensures accuracy tolerances in accordance with the specifications of leading car manufacturers (+/- 0.5 mm in transverse and longitudinal direction)

NxT Generation swivel arm solutions



Arm locking system:

- Internal, protects from moisture /soiling and ensures more work safety
- Strong 360°-locking system with fine adjustment for precise positioning



Wheel-support devices:

- Full access to the underbody of the vehicle
- Ideal when working on sports cars and EV's (battery)



Adapters:

- Wide range of adapters
- For almost any vehicle



Swivel arm superstructure:

- Flat enough for sports cars (lower swing height from 75 mm, Saa u. Saav)
- Strong enough to lift vehicles up to 3,5 t

Swivel arm version	Saa	Saav	Saaa
Telescopic	double	double	triple
Lifting capacity	up to 5,5t	up to 5,5t	up to 6,5t
Protected, internal arm locking system	✓	✓	
Minimum height from 75 mm	✓	✓	
Adapters for any vehicle available	✓	✓	✓
Special features	<ul style="list-style-type: none"> • Extremely flat design with low overall height • Perfect lifting even of sports cars 	<ul style="list-style-type: none"> • Transversally movable swivel arms 	<ul style="list-style-type: none"> • Various piston distances up to 2,650 mm possible • Easy operation of the swivel arms

NxT Generation flat lifting support solution

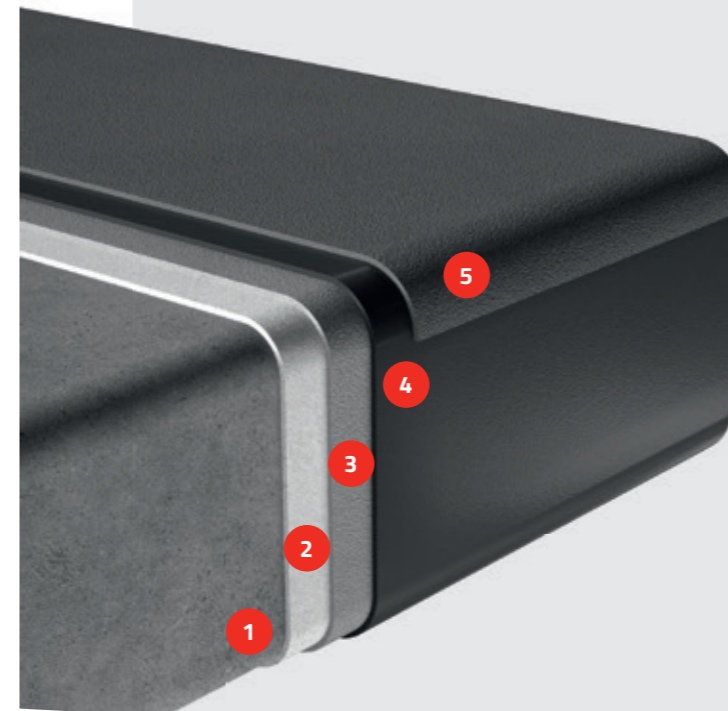


Superstructure „Premium“:

- Solid steel
- Zink coated and painted in RAL 9006
- Corrosion-resistant and highly durable
- Fully operational even after 15 years or more in use

NxT Generation platform solutions

When it comes to quality, we like to do a few extra layers:
The paint structure of our platforms.



5. Anti-slip coating

The top non-slip coating is standard on all platforms and is done in the product colour of the respective platform.

4. Painting

You not only want a high-quality platform, you also want it to reflect the quality of your workshop. We paint in a high-quality RAL 7016 colour as standard, but other RAL colours are of course also possible.

3. Priming

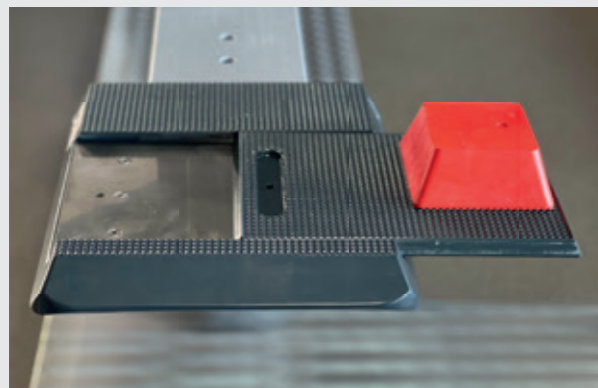
For optimal adhesion of the top coating, a primer is applied first.

2. Zink coating (optional)

Zink coating – for even better corrosion protection – is available on request and is carried out in accordance with the requirements of leading car manufacturers.

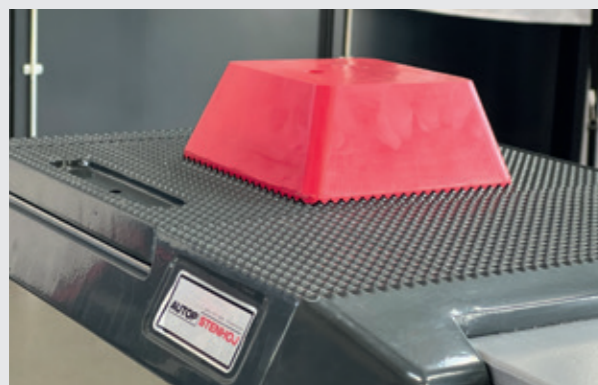
1. Sandblasting

In the first step, all parts of the platform are completely deburred and sandblasted. The perfect basis for all following layers.



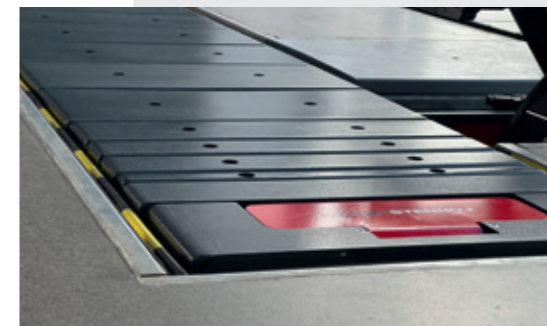
XY-heads:

- Made of high quality casted aluminium
- Powder-coated, with stainless steel sliding plate and plastic spacers
- Perfect extension of the lifting area, transverse to the drive-on direction
- Honeycomb structure, form fitting to our rubber pads to avoid unwanted movement



Rubber pads:

- Non-slip and form-fitting rubber pads
- Available in different heights



Floor installation/structure:

- Whether on-floor, recessed or with hydraulic flush-floor device – a wide range of variations is available to fulfill all possible needs of the workshop



Platform design:

- Our platform lifts are characterised by a slim design and low overall height
- On our wheel alignment platforms, distance pieces and sliding plates can be fixed at the sides via the stainless steel toothed bar



Options:

- Optionally, additions like a movable axle lift, integrated wheel-free lift or wheel alignment preparation can be supplied



www.autopstenhoj.com

AUTOPSTENHOJ GmbH
Sandkampstr. 90 | 48432 Rheine
☎ +49 5971 8602-02
✉ info@autopstenhoj.com

AUTOPSTENHOJ GmbH
Barrit Langgade 188-190 | DK-7150 Barrit
☎ +45 76 82 13 30
✉ info@autopstenhoj.com