

# Sololift 1.35 Pv Ø 213

Electro-hydraulic single-ram lift, 3.5 t capacity, flat lifting supports



## Application

- Check-in
- Wash
- Repairs and maintenance
- Testing

## Recommendation/ Approval

- Renault
- Volkswagen Group

## Description:

### Steel cassette:

- Waterproof steel cassette
- Self-carrying

### Hydraulic unit:

- Hard-chrome plated cylinder
- High stability (Cyl. Ø213mm)
- Integrated anti-rotation device
- Corrosion-free guiding element
- Pump unit with immersed motor for fitting on wall
- Hydraulic oil
- Pneumatic emergency lowering
- Programmable pushbutton control unit
- Alarm signal / CE-stop

### Superstructure:

- 2 flat lifting supports in different lengths available
- Rubber-coated, non-skid pads
- Low minimum height

### Standard colours:

- Standard surface-treatment:  
Zinc-coated and painted in RAL 9006 white aluminium

## Versions:

### Steel cassette:

- Hot galvanized
- Coated

### Installation:

- Superstructure on floor
- Ceiling installation
- Hydraulic pump unit in floor
- Hydraulic pump unit on wall

## Optional extras:

- XY-pads
- Sets of rubber blocks,  
40, 60, 80 and 100 mm

**Special colours available on request!**



Click the QR-Code for detailed product information.

Further Information on [www.autopstenhoj.com](http://www.autopstenhoj.com)

**AUTOPSTENHOJ GmbH**

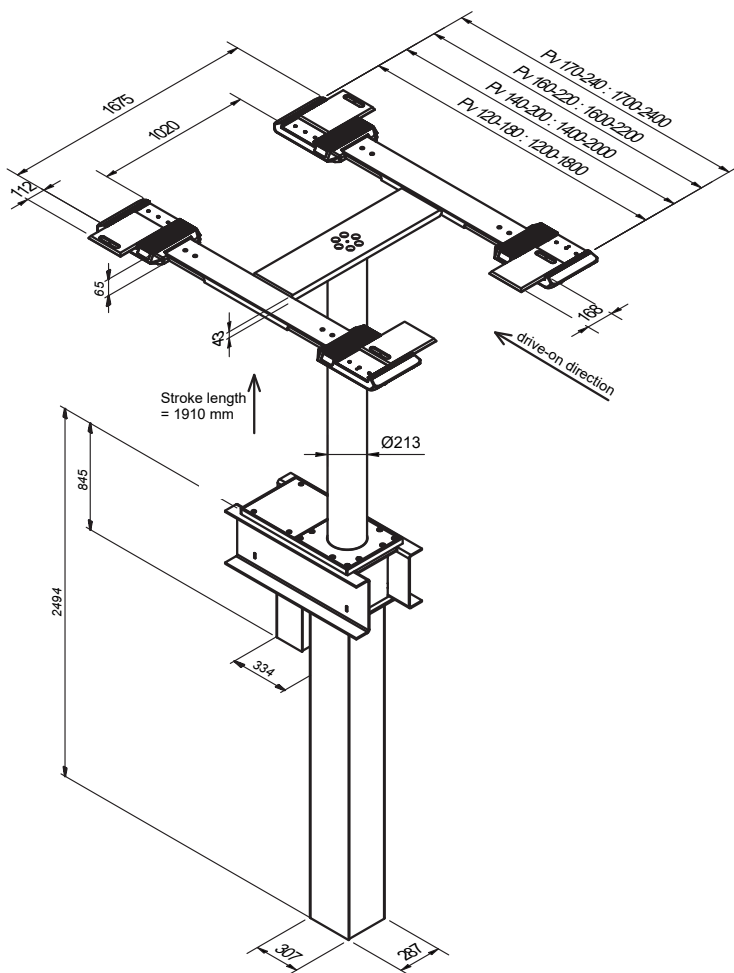
Sandkampstraße 90  
D-48432 Rheine  
☎ +49 5971 8602-02  
✉ [info@autopstenhoj.com](mailto:info@autopstenhoj.com)

**AUTOPSTENHOJ GmbH**

Barrit Langgade 188-190  
DK-7150 Barrit  
☎ +45 76 82 13 30  
✉ [info@autopstenhoj.com](mailto:info@autopstenhoj.com)

Technical data	
Lifting capacity	3,500 kg
Lifting height	1,910 mm
Working height	1,975 mm + rubber pads
Cylinder diameter	213 mm
Lifting / lowering time (high pressure)	approx. 30 sec.
Foundation depth	2,650 mm
Pump unit	3 kW
Hydraulic oil	14 l
Voltage	230 / 400 V – 50 Hz – 16 A

Pv superstructure	
Total length min. – max.	120-180: ~ 1,200 - 1,800 mm 140-200: ~ 1,400 - 2,000 mm 160-220: ~ 1,600 - 2,200 mm 170-240: ~ 1,700 - 2,400 mm
Min. height	65 mm



Cover



Various pads



XY-pads with rubber