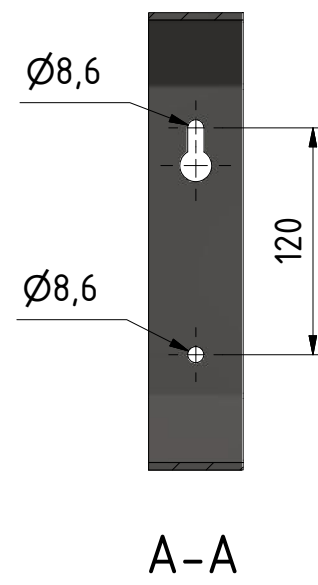
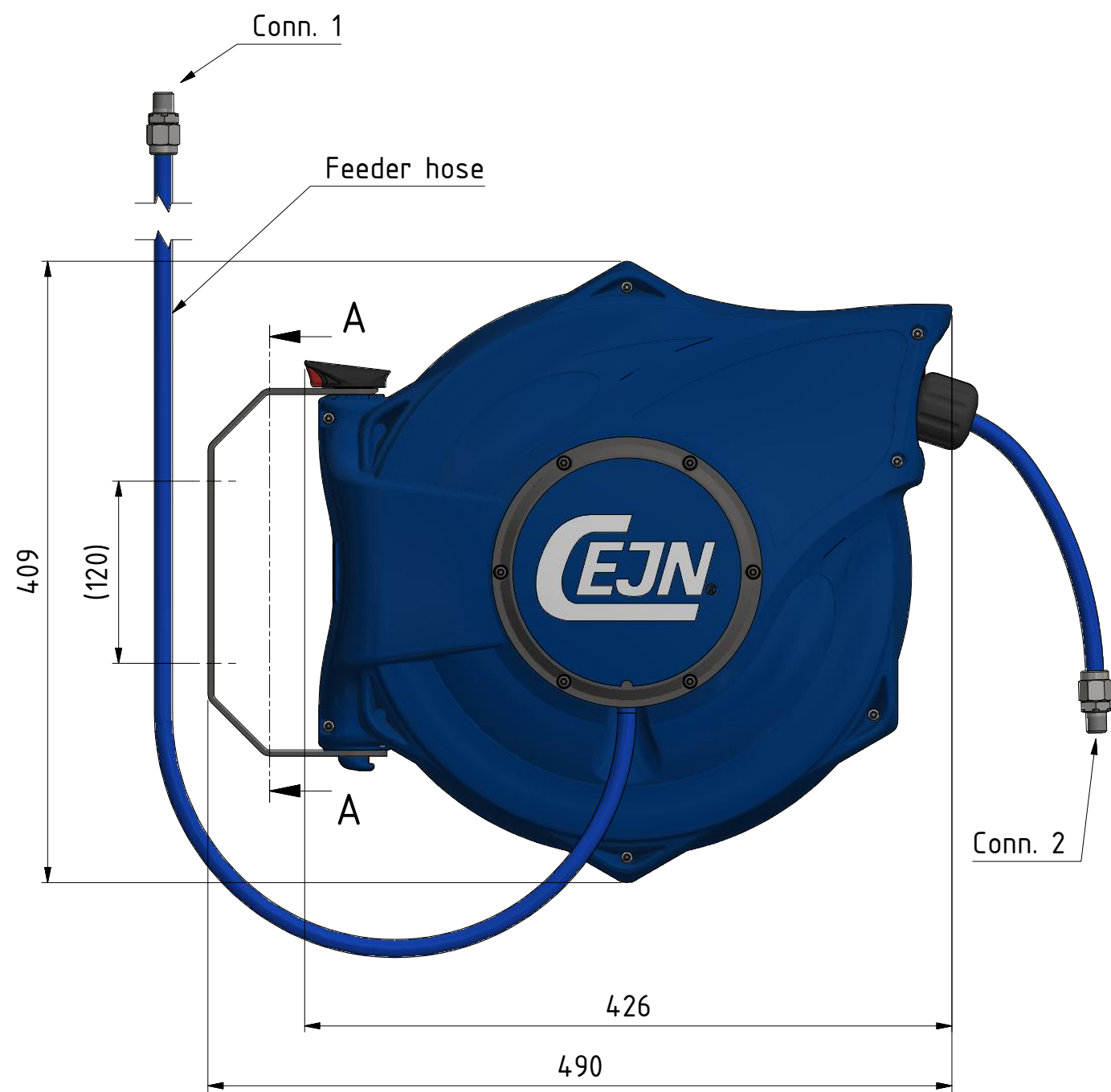


This document must not be copied, either completely or in part, without permission. Any infringement will have legal consequences ©



Product Data Table - On Next Page

Technical Data:	
Feeder hose length:	1,5m
Hose material:	Braided PUR (ester based)
Connections:	Male thread
Temperature range:	-20°C - +60°C (-4°F - +140°F)
Sealing material:	NBR

	Scale	1 : 4	Drawn	CABJOOL	Checked	CABFA	Appr.	CABOG	ECO	11771	Date	2018-03-23		
	Medium Reels Air									Drawing No.	509119901	Issue	AA	Sheet

D

C

B

A

* Anti-Spark Hose
 ** Grey housing (RAL 7012)

Product Data - Medium Reels Air

Art.no.	Hose length	Dim. (IDxOD)	Conn. 1	Conn. 2	WP bar (psi)	Weight (kg)
19 911 2120	17	8x12	R 1/4"	R 1/4"	16 (232)	6,0
19 911 2120GR**	17	8x12	R 1/4"	R 1/4"	16 (174)	6,0
19 911 2121	17	8x12	1/4" NPT	1/4" NPT	16 (232)	6,0
19 911 2127	17	8x12	R 1/4"	Staubli NSI06.1908/PU	12 (174)	6,0
19 911 2130	14	9,5x13,5	R 3/8"	R 3/8"	16 (232)	5,9
19 911 2131	14	9,5x13,5	3/8" NPT	3/8" NPT	16 (232)	5,9
19 911 2132	14	9,5x13,5*	R 3/8"	R 3/8"	12 (174)	5,9
19 911 2133	14	9,5x13,5*	3/8" NPT	3/8" NPT	12 (174)	5,9
19 911 2140	10	11x16	R 1/2"	R 1/2"	12 (174)	6,3
19 911 2141	10	11x16	1/2" NPT	1/2" NPT	12 (174)	6,3
19 911 2142	10	11x16	320-nipple	eSafe 320	12 (174)	6,3
19 911 2143	10	11x16	315-nipple	eSafe 315	12 (174)	6,3
19 911 2144	10	11x16	410-nipple	eSafe 410	12 (174)	6,3
19 911 2150	8	13x18	R 1/2"	R 1/2"	10 (145)	6,3
19 911 2151	8	13x18	1/2" NPT	1/2" NPT	10 (145)	6,3
19 911 2152	8	13x18	320-nipple	eSafe 320	10 (145)	6,3
19 911 2154	8	13x18	410-nipple	eSafe 410	10 (145)	6,3
19 911 2160	14	9,5x13,5	300-nipple	300 eSafe	16 (232)	5,9
19 911 2161	14	9,5x13,5	310-nipple	310 eSafe	16 (232)	5,9
19 911 2162	14	9,5x13,5	320-nipple	320 eSafe	16 (232)	5,9
19 911 2163	14	9,5x13,5	315-nipple	315 eSafe	16 (232)	5,9
19 911 2170	14	9,5x13,5*	300-nipple	300 eSafe	12 (174)	5,9
19 911 2171	14	9,5x13,5*	310-nipple	310 eSafe	12 (174)	5,9
19 911 2172	14	9,5x13,5*	320-nipple	320 eSafe	12 (174)	5,9
19 911 2173	14	9,5x13,5*	315-nipple	315 eSafe	12 (174)	5,9
19 911 2180	17	8x12	300-nipple	300 eSafe	16 (232)	6,0
19 911 2181	17	8x12	310-nipple	310 eSafe	16 (232)	6,0
19 911 2182	17	8x12	320-nipple	320 eSafe	16 (232)	6,0
19 911 2183	17	8x12	315-nipple	315 eSafe	16 (232)	6,0



Scale	Drawn CABJOOL	Checked	Appr.	ECO 11771	Date
Medium Reels Air			Drawing No. 509119901		Issue AA
					Sheet 2 / (2)

This document must not be copied, either completely or in part, without permission. Any infringement will have legal consequences ©

